

To define the best E-Props propeller(s) for your aircraft, we need the following data :

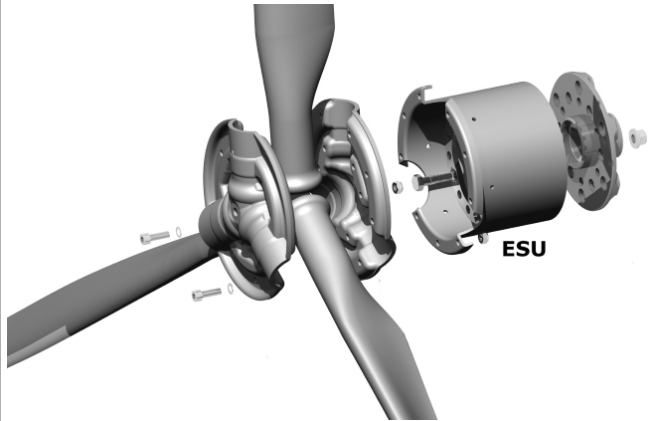
## Aircraft + Engine

Type of aircraft or ultralight	
Engine	
Gearbox ratio	
Aircraft max speed	

## Actual Propeller (if any)

Brand / Model	
Number of blades	
Diameter of the propeller	

## E-PROPS Propeller

Number of blades wished :	<b>2      3      4      5</b>
<b>Diameter</b> wished : from 150 cm to 205 cm 59 inch to 80,7 inch	
<b>Spacer (ESU)</b> needed : 38 different lengths from minus 20 mm to plus 170 mm  Tutorial to measure the length of ESU => <a href="https://youtu.be/0GgLTzZ-da0">https://youtu.be/0GgLTzZ-da0</a>	
<b>Spinner</b> needed : 15 different diameters from 210 mm to 380 mm  Tutorial to measure the spinner diameter => <a href="https://youtu.be/0GgLTzZ-da0">https://youtu.be/0GgLTzZ-da0</a>	