

## Installation and Operating Instructions E-PROPS Spinners and Mounting Plates

Hélices E-Props manufacture propellers' spinners in carbon, very strong, the lightest on the market. They are black (in carbon), balanced and ready to be mounted. They can be adapted to 2-blades and 3-blades propellers.

The spinner kit consists of a spinner, its mounting plate and all the screws. The mounting plate is assembled on the spinner with 6 screws M5.

**BE CAREFULL** : for balancing, a screw can be putted on the mounting plate. **Please do not remove this screw from the plate**, otherwise the balancing would be not good, and vibrations could appear.

**BE CAREFULL** : you must first assemble the propeller and **SET THE GOOD PITCH OF THE BLADES BEFORE PLACING THE SPINNER**, otherwise the blades could touch the edge of the spinner.

The E-PROPS spinners available in different diameters :

- Ø 210 mm - length 220 mm - weight 350 gr
- Ø 230 mm - length 235 mm - weight 400 gr
- Ø 250 mm - length 250 mm - weight 450 gr
- Ø 275 mm - length 260 mm - weight 510 gr
- Ø 300 mm - length 270 mm - weight 780 gr

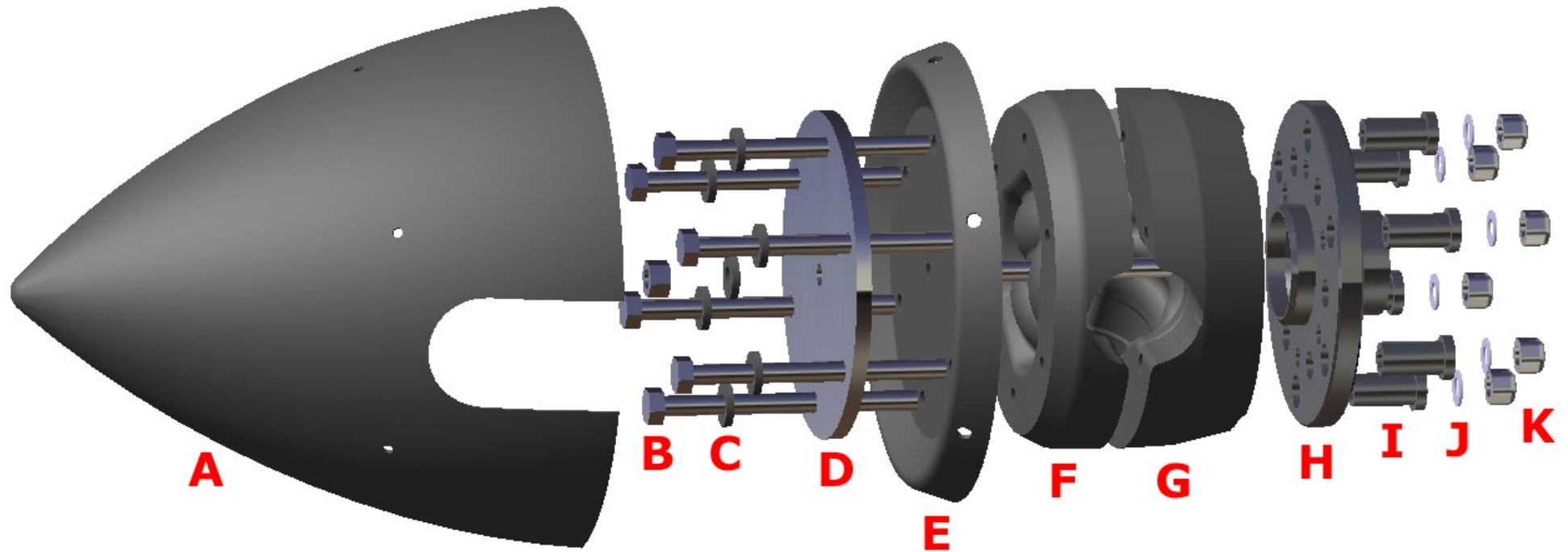


The E-PROPS spinners are assembled on the flange of the propeller (not behind). They are well-adapted to all hubs configurations.

If a spacer is added, be sure that there is no material thickness wastage (carbon temperature withstand) to keep a perfect tightness.

For the assembly of the E-PROPS propeller, please read the **INSTRUCTION MANUAL** (updated document)

Hereafter are the installation instructions. **Any other assembly is formally forbidden.**



<b>A</b>	1 Spinner in carbon
<b>B</b>	6 Screws + 1 central nut (for the central screw of the hub)
<b>C</b>	7 Nord-Lock washers
<b>D</b>	1 Flange in anodized aluminium
<b>E</b>	1 Mounting plate of the spinner
<b>F</b>	1 upper Half Hub
<b>G</b>	1 lower Half Hub
<b>H</b>	1 reducer flange (on reduced engines) or engine flange (direct drive engine)
<b>I</b>	6 drive lugs : threaded or smooth
<b>J</b>	Option : 6 smooth washers => only for the direct drive engines (smooth drive lugs)
<b>K</b>	Option : 6 nuts => only for the direct drive engines (smooth drive lugs) <b>In case of threaded drive lugs, the use of nuts is absolutely forbidden.</b> <b>In case of direct drive engines, the use of threaded drive lugs is absolutely forbidden.</b> <b>The tightening torque must be applied on the nut side.</b>